

EEL-H1/2S

Bansbach
easylift®

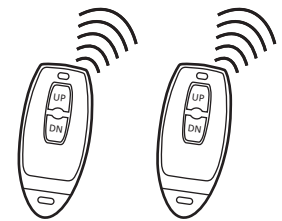
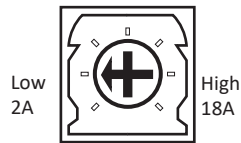
*Not included
in standard
configuration

Main Features

Remote and Wired Switch control of 1 or 2 hall effect linear actuators moving in synchronous under any conditions, compatible with multiple hall devices and signals, CE, FCC certified by SGS. (Actuators not included)

Includes Safety Feature

- Adjustable: 2A - 16A current limit per Actuator.
- When controller detects current over the selected limit on any of the actuators, then the system stops both actuators.



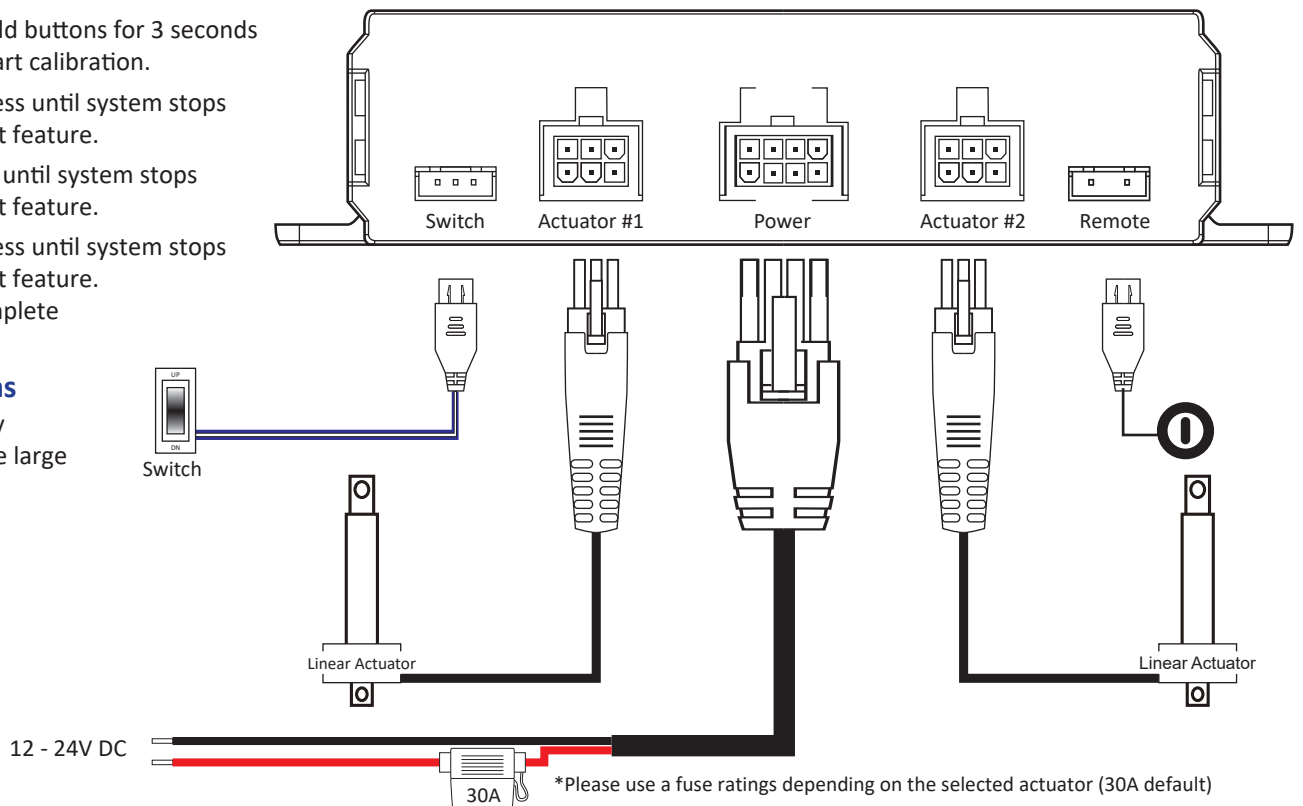
Calibration

Press up/down and hold buttons for 3 seconds at the same time to start calibration.

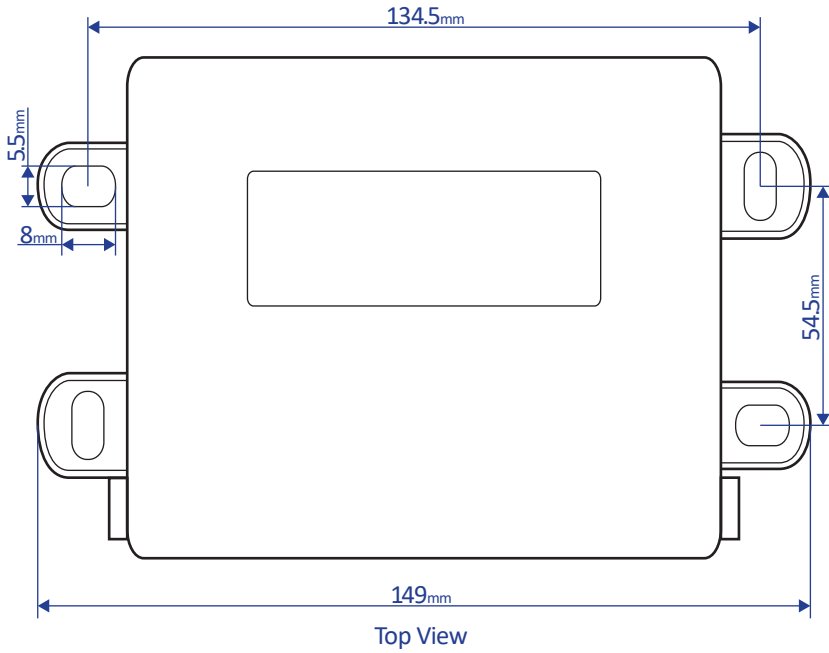
- Actuators compress until system stops due to safety limit feature.
- Actuators extend until system stops due to safety limit feature.
- Actuators compress until system stops due to safety limit feature. Calibration is complete

Memory Positions

Save different memory presets when using the large remote.

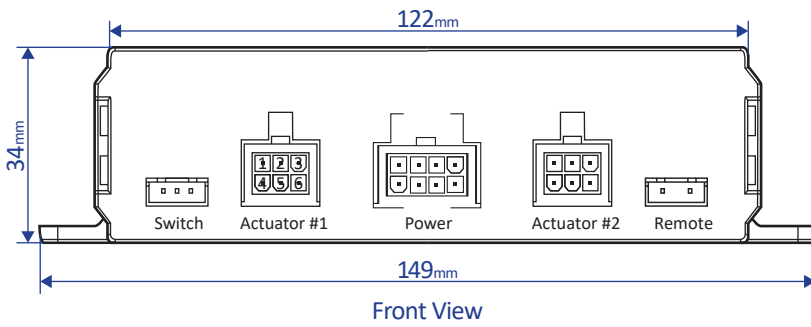


Controller Box



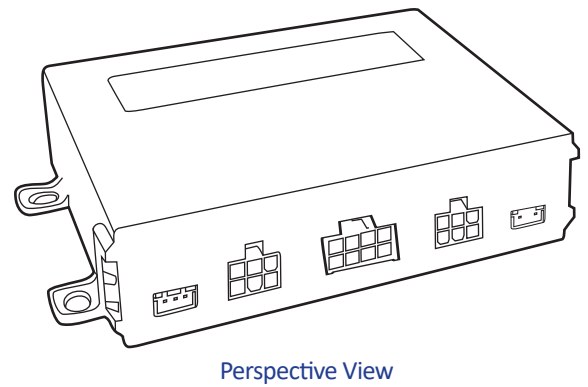
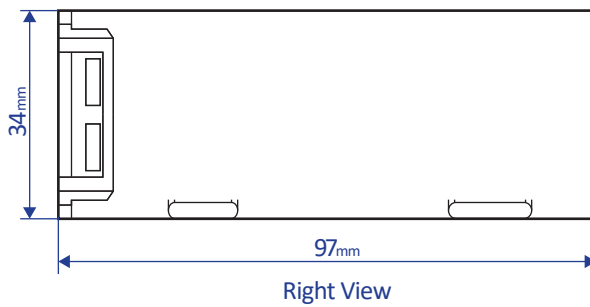
Actuator Connector

#1	Hall Signal-2
#2	Hall Device Power GND
#3	Actuator
#4	Hall Signal-1
#5	Hall Device Power 5V-12V
#6	Actuator

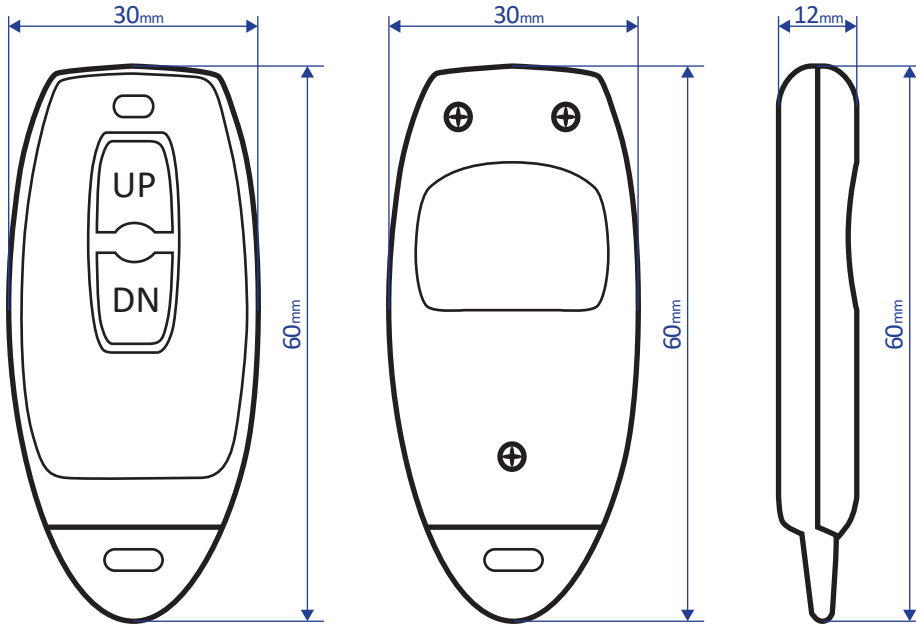


Main Box Specifications

Working Voltage	12~24V DC
Working Temperature	-35~70°C
Max Current	30A
Static Current	0.03mA
Waterproof Grade	IP54
Storage Temperature	-30~+80°C



Remote



Front View

Rear View

Right View

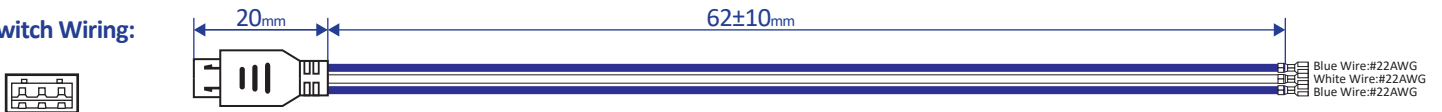
Remote Specifications

Frequency*	315 Mhz
Remote Range	50 meter
Battery (each remote)	CR2016x2
Working Temperature	-30~70°C
Waterproof Grade	IP54
Certificates	CE, FCC
Quantity	2 Pcs

*Other frequencies available on request

Cables

1 x Switch Wiring:



1 x Remote Button:

- Use to program new key fobs / remotes.
- Cable length = 100mm



1 x Power Wiring:



Bansbach Easylift

50 West Drive
Melbourne, FL 32904

Tel: (321) 253-1999
Fax: (321) 253-5546

sales@easylift.com
www.easylift.com

Bansbach
easylift®